



6STA55

PHYSICAL SPECIFICATION

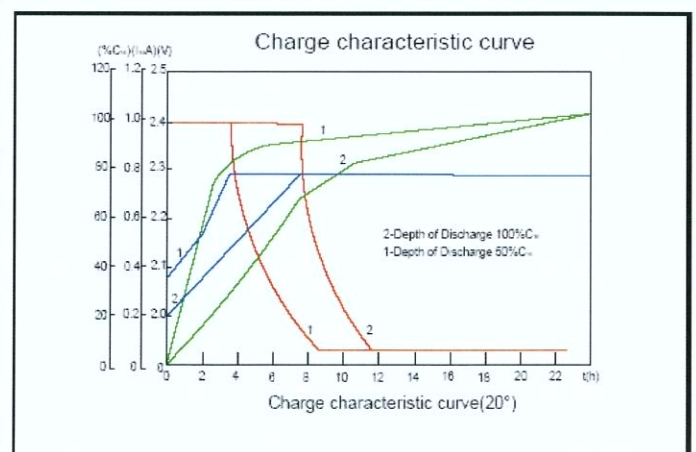
Nominal Voltage		2V
Nominal Capacity (10Hr)		300Ah
Dimension	Length	145 ±2mm
	Width	206 ±2mm
	Container Height	402 ±2mm
	Total Height	432 ±2mm
Drawing 400187-0		Weight 26,0 Kg ± 5%
Standard Terminal		Bolt Type: S 8

ELECTRICAL SPECIFICATION

Characteristics

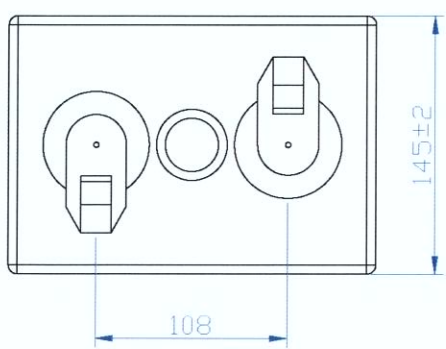
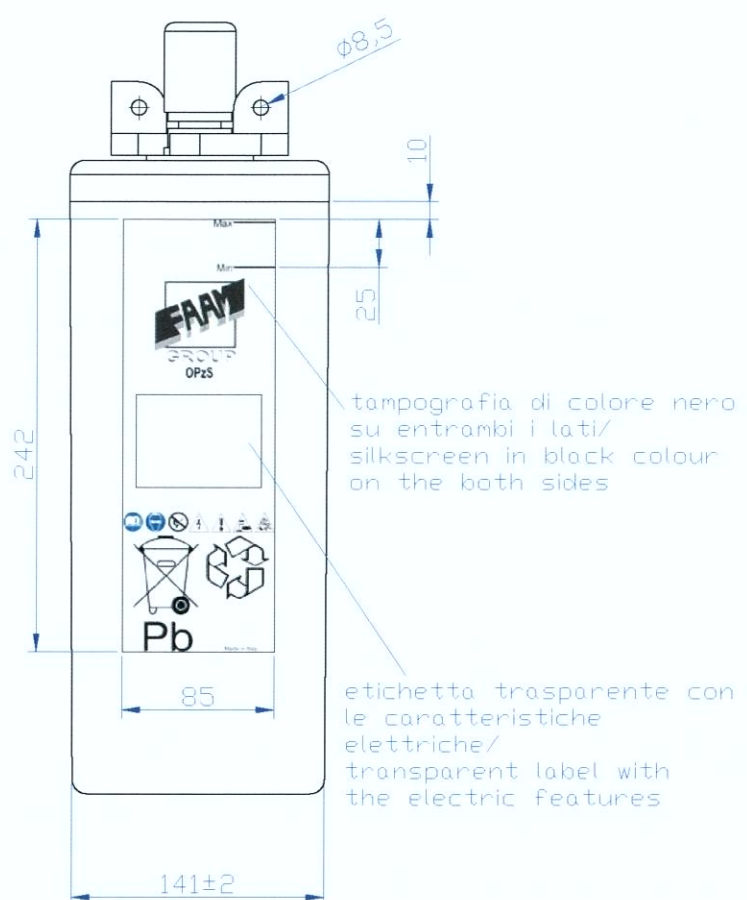
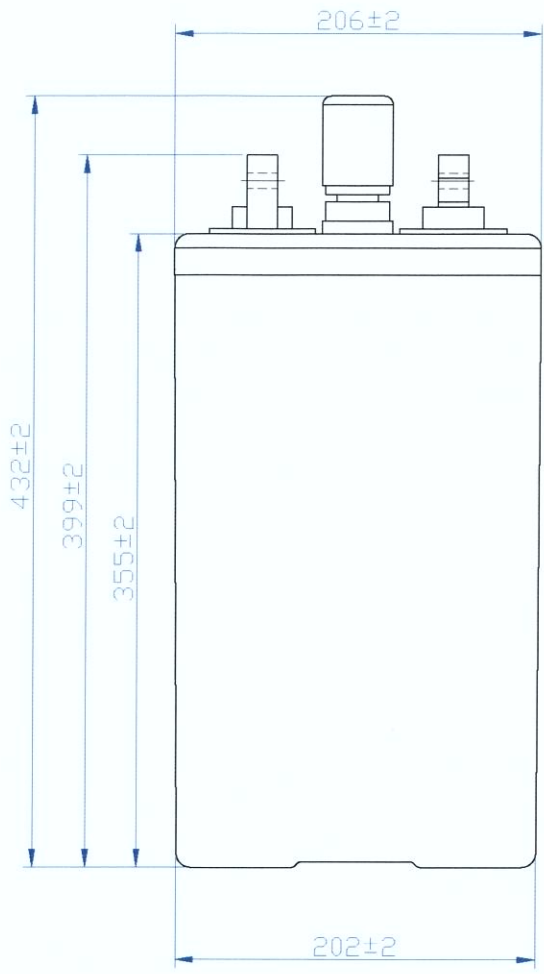
Capacity	10 hour rate	300,00Ah
	8 hour rate	293,76Ah
	5 hour rate	266,25Ah
	3 hour rate	246,51Ah
	1 hour rate	174,06Ah
Capacity affected by temperature	40°C	102%
	20°C	100%
	0°C	85%
Internal Resistance 0,45 mΩ±10%		SCC 3500 A ±10%
Charge Voltage	Standby	Max Charge Current 60 A
		Floating Voltage 2,23V at 20°C
		Boost Charge 2,40V at 20°C
		Temperature Coefficient -20 mV/°C

Charging curves @ 20°C



Constant Current(Amp) and Constant Power (Watt/Cell) Discharge Table at 20°C

Time		30 min	60 min	90 min	2 h	3 h	5 h	8 h	10 h	100 h	120 h
1,65V	A	260,13	169,71	132,13	110,72	85,27	56,45	37,80	31,50	4,08	3,46
	W	480,45	318,09	243,78	205,92	154,53	107,67	76,91	62,37	8,09	6,87
1,70V	A	246,12	164,63	129,52	108,53	82,17	55,91	37,44	31,20	4,12	3,49
	W	458,10	307,40	235,22	198,93	150,17	107,16	76,55	61,99	8,06	6,84
1,80V	A	200,10	145,05	118,50	99,30	77,52	53,25	36,00	30,00	3,96	3,36
	W	372,44	267,30	213,84	183,86	140,48	101,57	72,35	59,40	7,84	6,65



CODICE 6STA55 / CODE 6STA55:
 VOLTAGGIO / VOLTAGE :2 V
 CAPACITA' / CAPACITY (10 h) :300 Ah
 PESO / WEIGHT :26±5% Kg

1	14.02.2011	R. PARENTI	S. BALDASSARRI	R. ISIDORI	INSERITA TAMPOGRAFIA/ADDED PRINTING		
REV.	DATA/DATE	PROGETTISTA/DESIGNER	DISEGNATO/DRAWN	APPROVATO/APPROVED	DESCRIZIONE MODIFICHE/DESCRIPTION REVISIONS		
INDICAZIONI GENERALI/GENERAL INDICATION:			MATERIALE/MATERIAL:	R (N/mm ²):	DUREZZA/HARDNESS:	PROGETTISTA/DESIGNER:	
GRADO DI PRECISIONE/DEGREE OF ACCURACY			Pb-acide			R. PARENTI	
NORMA UNI 5307/STANDARD UNI 5307			PROGETTO GENERALE-COMPLESSIVO/GENERAL PLAN-TOTAL PLAN:			DISEGNATO/DRAWN:	
			ELEMENTI STAZIONARI ACIDO LIBERO/STATIONARY CELLS OPZS			S. BALDASSARRI	
SOSTITUISCE IL/SUPERSEDES:		SOSTITUITO DAL/SUPERSEDS BY:	NOME FILE/NAME FILE:			APPROVATO/APPROVED:	
			4 00187-1.dwg			F. PAGLIARINI	
SCALA/SCALE:		FOGLIO/SHEET:	CODICE/COE:	TIPO/TYP:	VERSIONE/VERSION:	DATA/DATE:	
1:4		A4	6STA55	VASO APERTO/OPZS	CARICA/CHARGE	06.11.2006	
DENOMINAZIONE/PART DESCRIPTION:						DISEGNO N°-REV./DRAWING N°-REV.:	TAV./
ELEMENTO STAZIONARIO ACIDO LIBERO COD. 6STA55/ STATIONARY CELL OPZS CODE 6STA55						4 00187-1	1



FAAM S.p.A. Via Monti,11 63026 Monterubbiano (AP) ITALY
 Tel. ++39/07342581 Fax. ++39/0734258229 www.faam.com

Questo disegno è di proprietà della FAAM e non può essere riprodotto o reso noto senza autorizzazione scritta.
 This drawing is a proprietary and shall not be reproduced or released to otherwise authorized by FAAM.